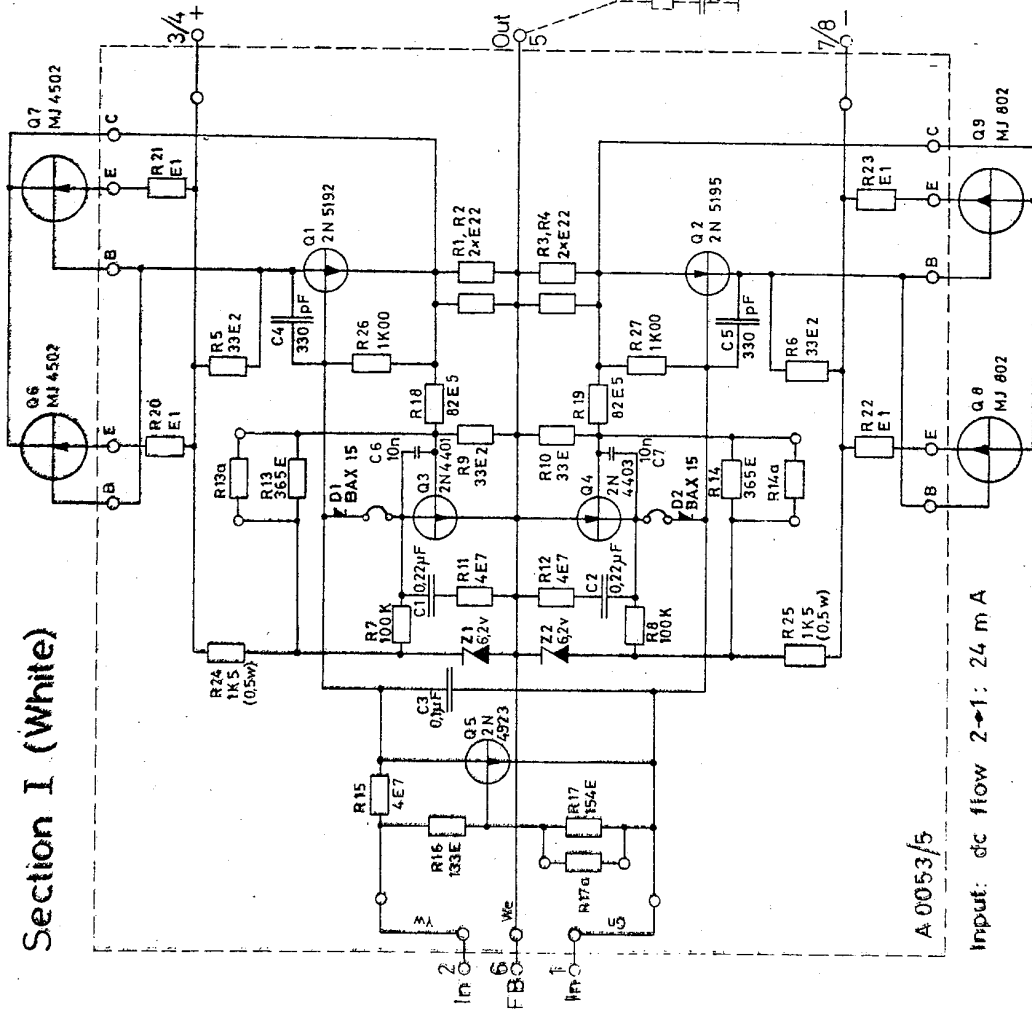
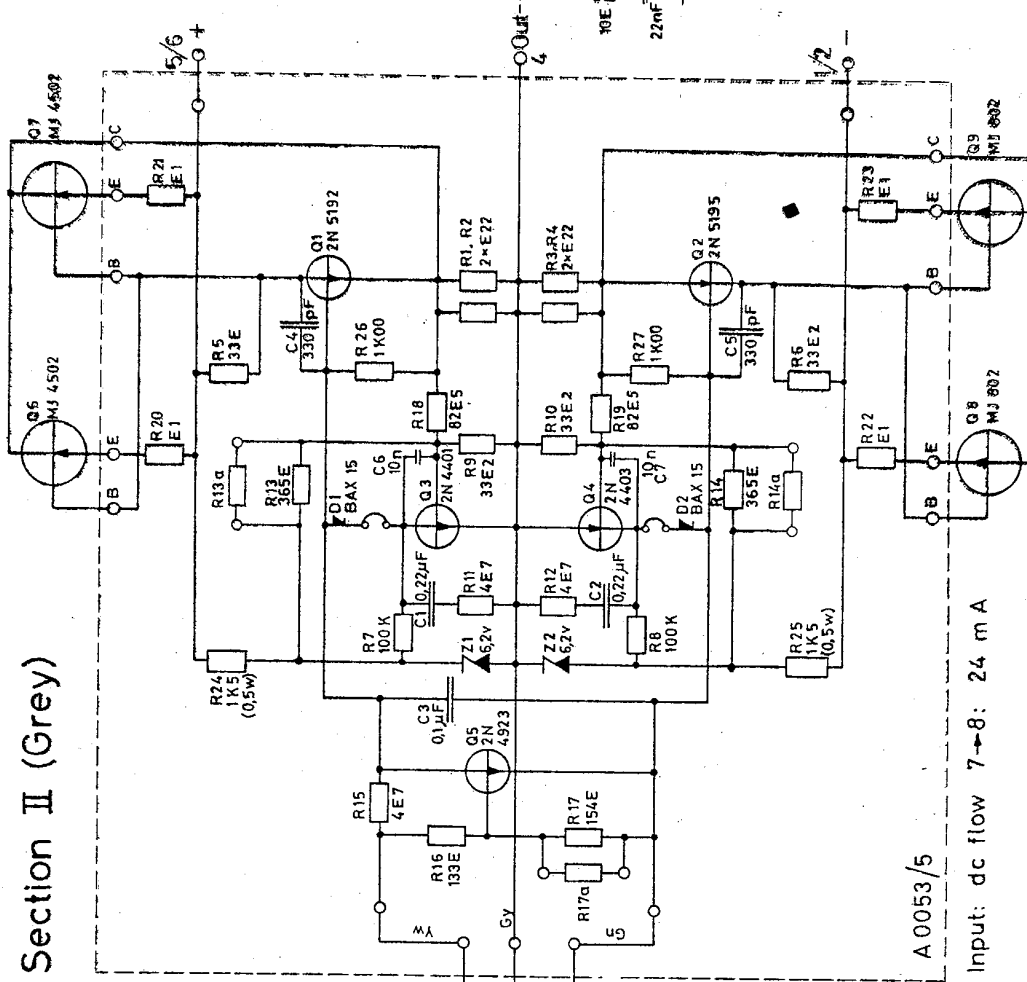


Section I (White)



Section II (Grey)



- Note 1** Supply voltage $\pm 4.0\text{V}$, should be decoupled to ground near the power unit through $0.47\mu\text{F}$ capacitors near unit.
- Note 2** Quiescent current through output transistors $125\text{ mA} \pm 25\text{ mA}$. (Voltage between collectors Q7 and Q9: $27.5\text{ mV} \pm 5.5$)