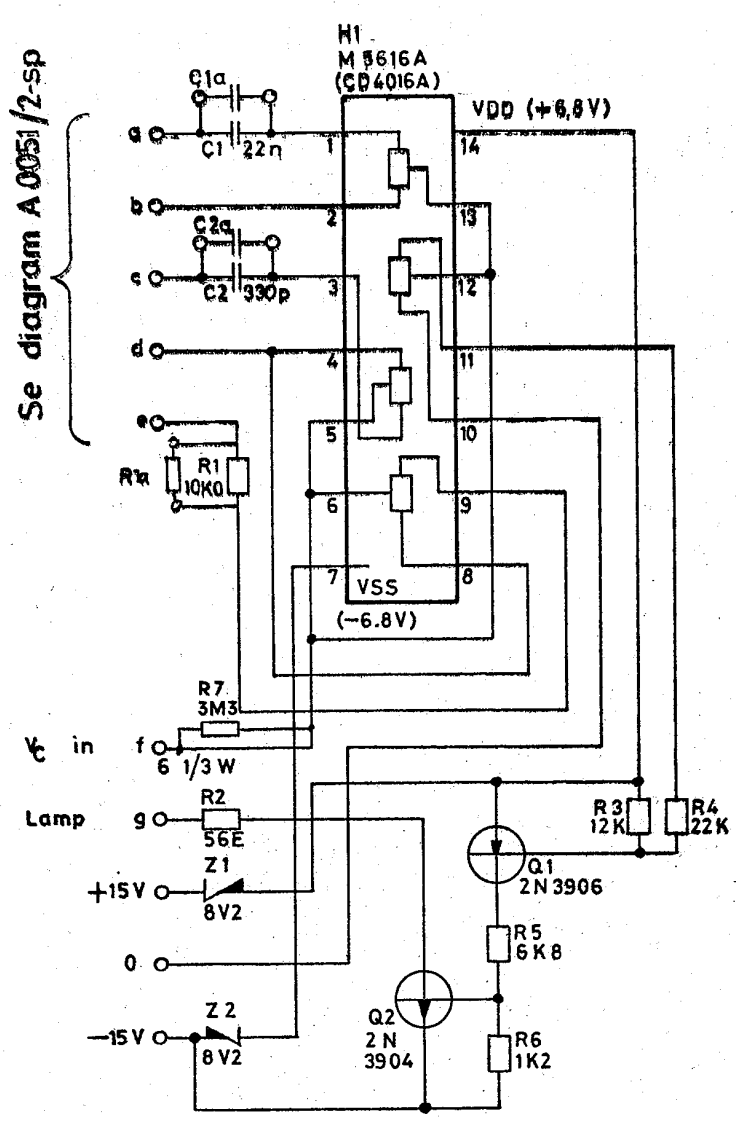


A  
B  
C  
D  
E

Se diagram A 0051/2-sp



KONSTR.		TV	<b>ortofon</b> DENMARK			
TEGN.	04.12.75	EK			SHEETS:	SHEET NO.
GODK.			SUBJECT: Switch 1/2 sp.-1/1 sp. for monitor amplifier A0051/2		2	1
ÆNDR.					CIRCUIT NO.:	
			PART OF E.G.:		DRAWING NO.:	
			BENÆVNELSE:			