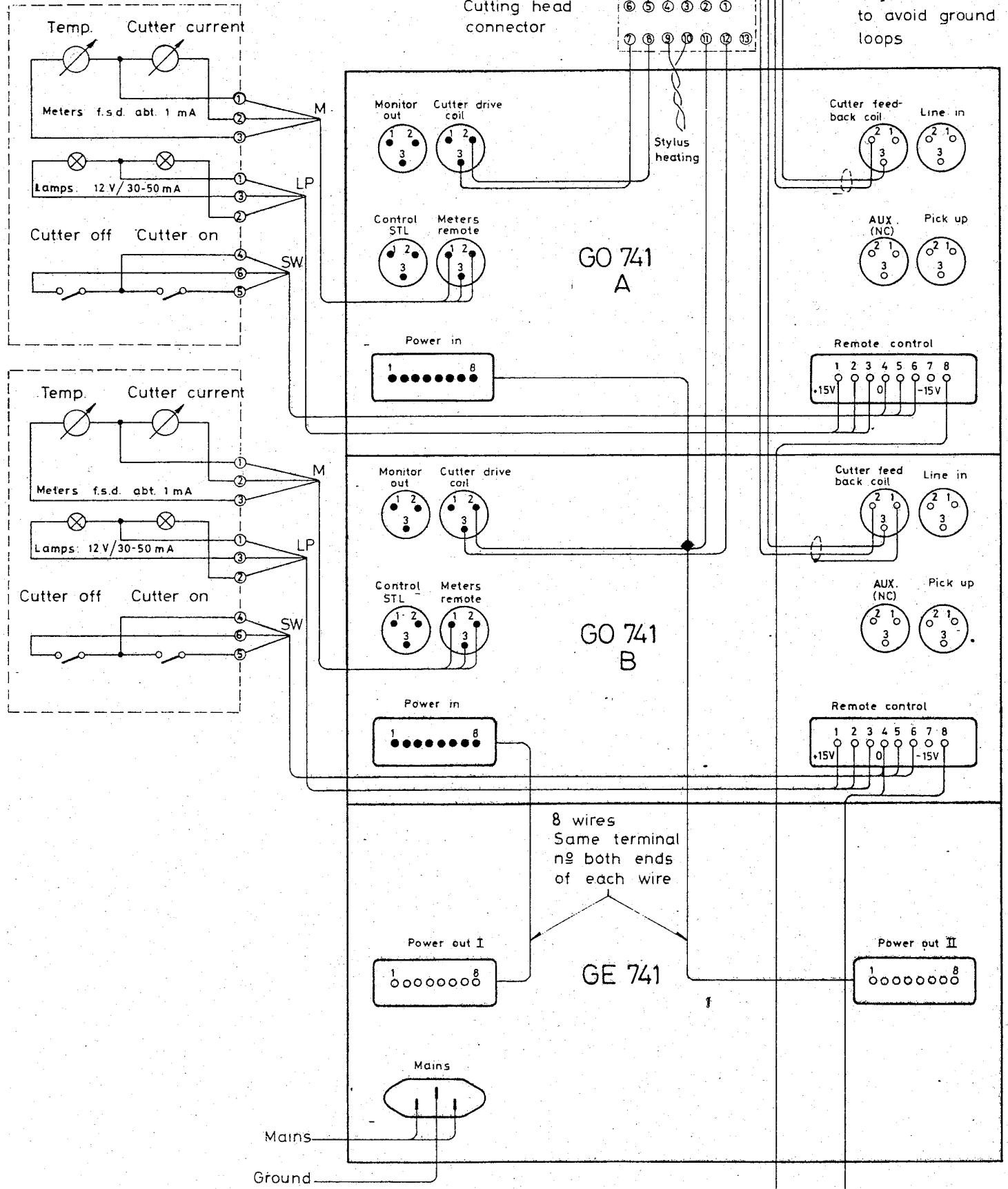


Note: Connect screen of B channel FB cable only to terminal 3 to avoid ground loops



Note: XLR connectors "input", "monitor out" and "pick up in" wired:

- "Eur" { 2 live, 3 signal earth, 1 screen
- "USA" { 3 live, 2 signal earth, 1 screen

