

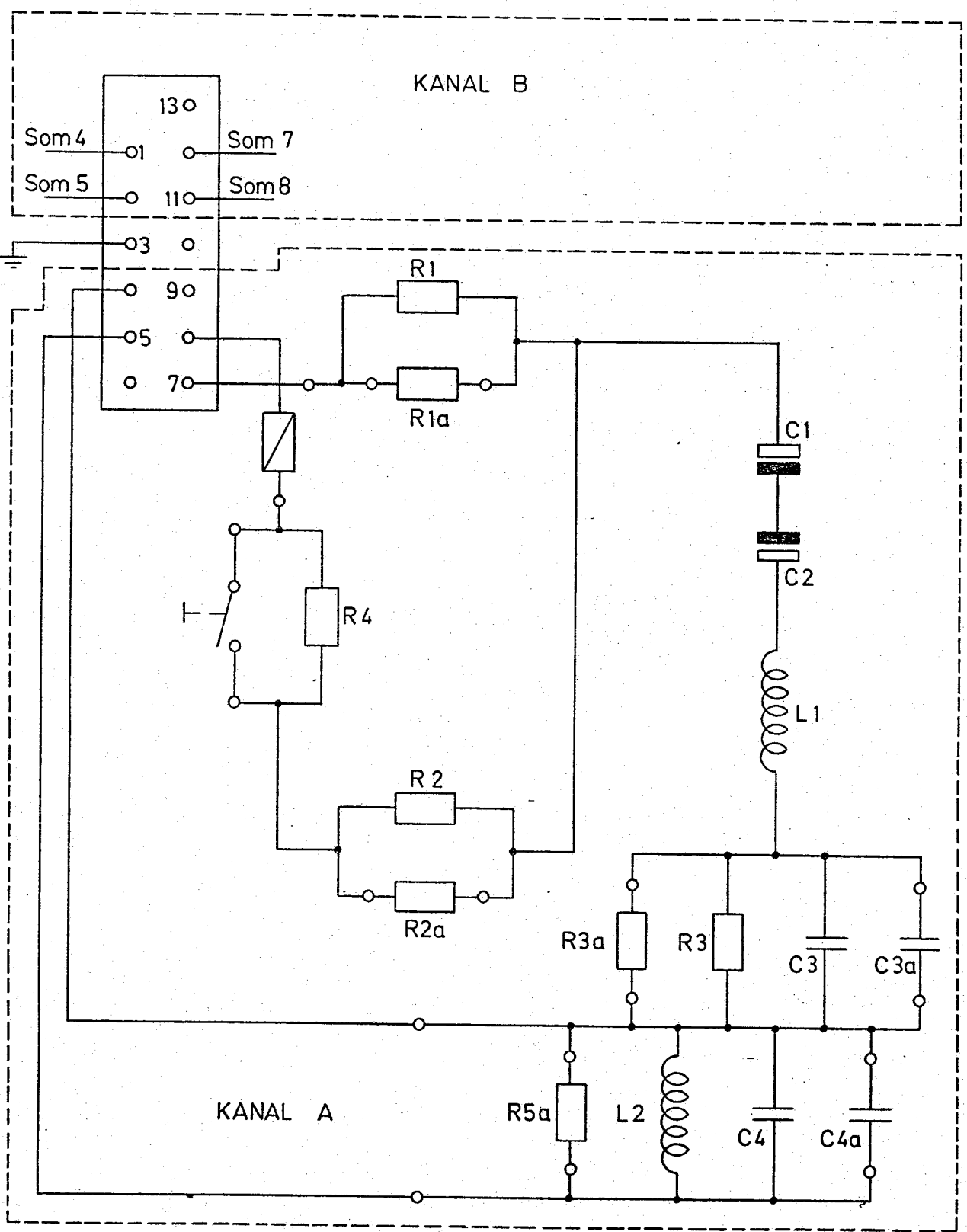
DL 791 Dummy Load for Cutting Amplifier GO 741

This unit is a filter which has a transfer characteristic similarly to the DSS 731/2. As the unit is designed as a purely passive network, it can readily be used as loading for GO 741. Further, it is made with the same plug as DSS, and it can therefore be connected with the same cables used for DSS. It is possible to carry out a complete test of the cutting equipment used without risking overloading of DSS. The unit can be used for instance to test phase relations and the condition of the cables used.

In series with the input a fuse of 0.8A secures the filter against overloading. As the fuse forms part of the voltage divider which secures a suitable FB-signal level corresponding to DSS, a fuse with the same impedance as those which are delivered with the unit, i.e. approx. 0.2 ohm, must be used for exchange.

The unit also has a switch which increases the input impedance in the filter corresponding to a drive coil temperature in DSS of 200° Centigrade. When the switch is activated, the meter of GO 741 will therefore show 200° Centigrade, and at the same moment the safety circuit disconnects the signal to the output of GO 741, i.e. turn from the "Cutter on" position to "Cutter off". DL 791 should therefore always be used at fault-finding and the starting up of new equipment.

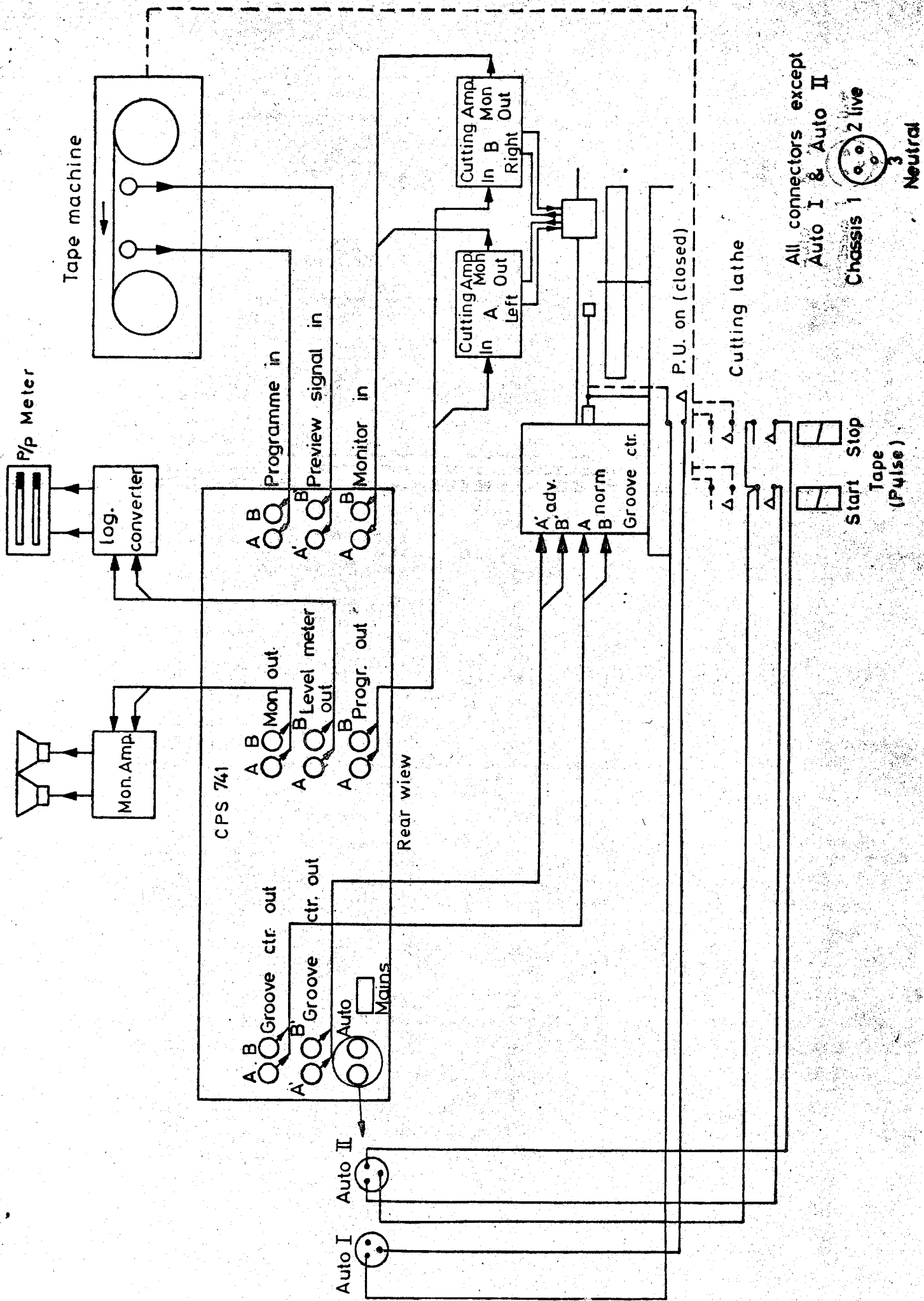
15th August, 1979
FN/KH



Denne tegning må ikke overlades til, kopieres eller udnyttes af uvedkommende.

Bemærk.										Frimålstolerance	Skala
Dok. henv	1	3	4	5	6	7	8	9			Nr.
Konstr.										Titel DIAGRAM FOR DL 791	Blad 1 af 1 ortofon danmark
Tegn.	15.05.79.		AMK								
1. udg.	01.08.79		<i>[Signature]</i>								
Værktøj										Matr.	
Erstatter										Finish	

Ref.no.	Description	Value/Size	Type no.	Manufacturer
R1	Resistor	2 R 2	Type 211 3W	Modulohm
R1a				
R2	-	6 R 8	Type 511 6W	-
R2a				
R3	-	221 R 0,4W MR 25	2322-151-52211	Philips
R3a				
R4	-	5 R 6	MR 33	Vitrohm
R5a				
C1	Capacitor, Tantal	33 u 16 V	DTC 33 MFD 16WV	Nippon
C2	-	33 u 16 V	-	-
C3	Capacitor	22 n 250V	2222-341-89223	Philips
C3a				
C4	-	2,2 u 250V	2222-344-41225	-
C4a	-	220 n 250V	2222-341-89224	-
L1	Coil	3 m R < 0,5 ohm		Ortofon
L2	-	-		-
F	Fuse	0,8 Amp R < 0,2	PL 1 9201	Wickmann
S	Switch		21-131.2	EAO
	Connector	13 pole Female	T2707.000	ATE



All connectors except
 Auto I & Auto II
 Chassis 1 2 live
 3 Neutral